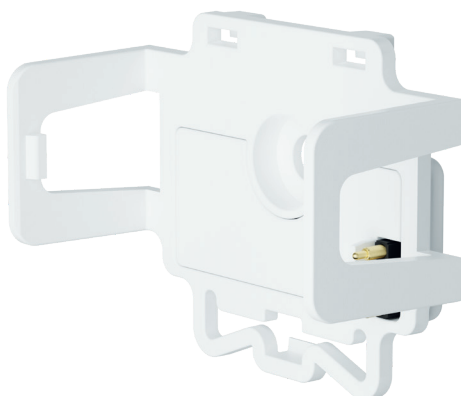


Battery backup

BAT-01



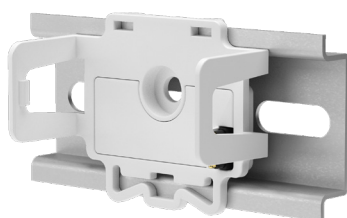
Battery backup is used to maintain the time functions in the system in the event of a power outage. The product connects as an accessory to any Plejd puck.

- Maintains time functions, such as astronomical timer, in the event of a power outage.
- Easily connected to Plejd's range of pucks using clip-on function.
- Only one Battery backup per Plejd system is needed, provided that the products are within wireless range of each other.
- Suitable for DIN rail or screw mount.
- Up to 10 years power reserve.

Compatible with:

Dimmer LED
 2-channel dimmer
 Dimmer 1-10 V
 2-channel relay
 LED driver 10 W
 Relay 16 A
 Dimmer 2-pole
 DALI Broadcast

DIM-01
 DIM-02
 CTR-01
 REL-02
 LED-10
 REL-01-2P
 DIM-01-2P
 DAL-01



DIMENSIONS

50x38x24 mm
 Width on DIN rail: 3u

CALCULATED BATTERY LIFE

10 years reserve