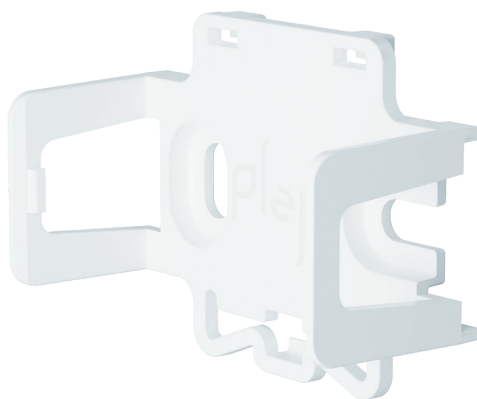


# Mounting clip

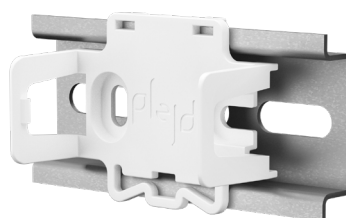
MNT-01



The Mounting clip is used to mount a product from the Plejd pucks on a DIN rail or wall.

**Suitable for:**

- |                  |           |
|------------------|-----------|
| Dimmer LED       | DIM-01    |
| 2-channel dimmer | DIM-02    |
| Dimmer 1-10 V    | CTR-01    |
| 2-channel relay  | REL-02    |
| LED driver       | LED-10    |
| Relay 16 A       | REL-01-2P |
| Dimmer 2-pole    | DIM-01-2P |



**DIMENSIONS**  
50x38x24 mm  
Width on DIN rail: 3u

**PACKAGING**  
One package contains  
10 MNT-01.